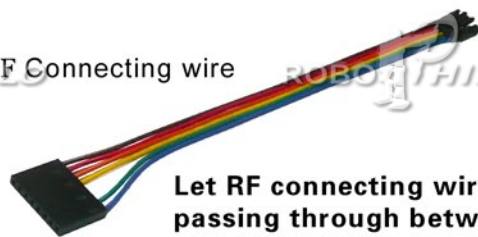


## Build the body of Philo Junior

Assemble the head and RF connecting wire



RF Connecting wire



Let RF connecting wire passing through between the servo and part RB019, six wires place forward for connecting with the receiver later.

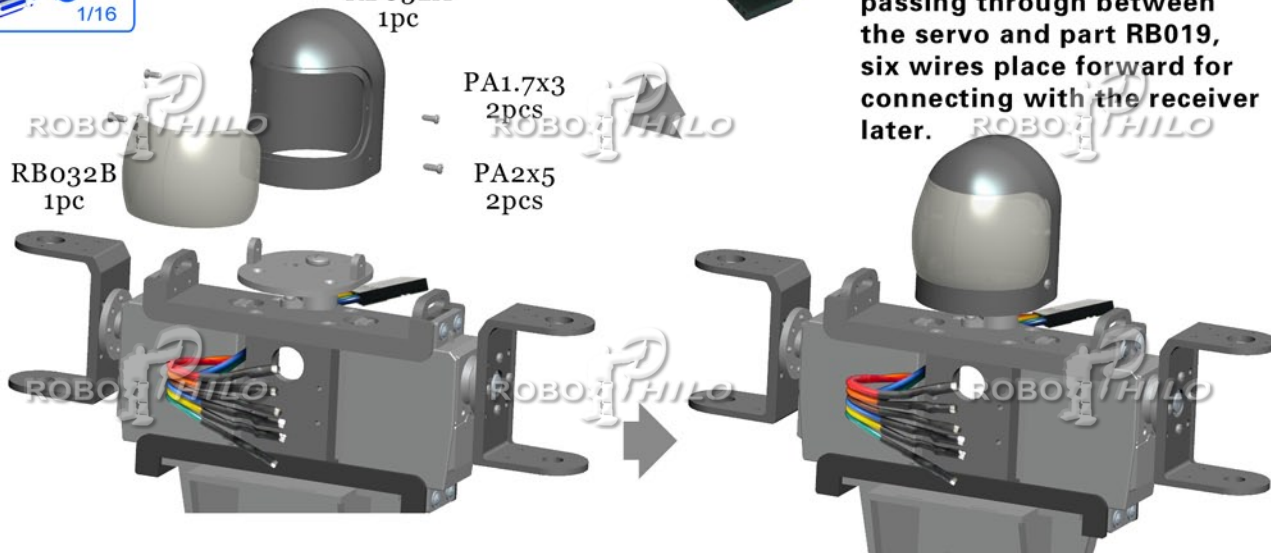


RB032A  
1pc

PA1.7x3  
2pcs

PA2x5  
2pcs

RB032B  
1pc



Assemble the back plate



KA2x10  
4pcs



RB021  
1 pc

